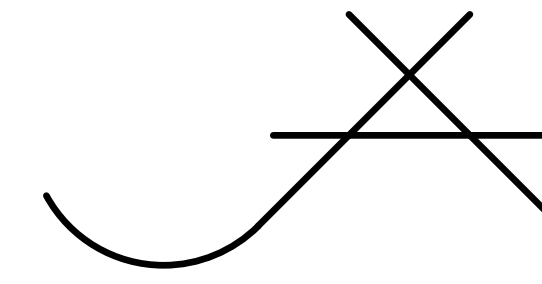


GLYNN ACADEMY HIGH SCHOOL PERIMETER FENCE - MANSFIELD GATES

1001 MANSFIELD ST. BRUNSWICK GA, 31520

JOHN A. TUTEN & ASSOCIATES, ARCHITECTS

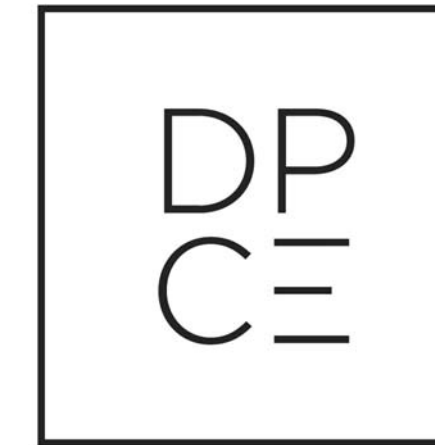
4680 Hwy 17 North
Brunswick, Georgia 30525
Phone: (912) 265-8686
Fax: (912) 267-6409
Email: johnt@johntuten.com



OWNER - DEVELOPER:
Glynn County Board of Education
Maintenance Office
Attn: Mr. Al Boudreau
200 Emory Dawson Road
Brunswick, Georgia 31520
Phone: (912) 577-0547
Fax: (912) 267-4183
boudreau@glynn.k12.ga.us

CIVIL ENGINEER:
John A. Tuten and Associates, Architects
4680 Hwy 17 North
Brunswick, Georgia 30525
Phone: (912) 265-8686
Fax: (912) 267-6409
Email: johnt@johntuten.com

STRUCTURAL ENGINEER:
W. Hunter Saussy III, PC
400 E Johnny Mercer Boulevard
Savannah, Georgia 31410
Phone: (912) 896-8255
Fax: (912) 896-1882
hsaussy@saussengineering.com

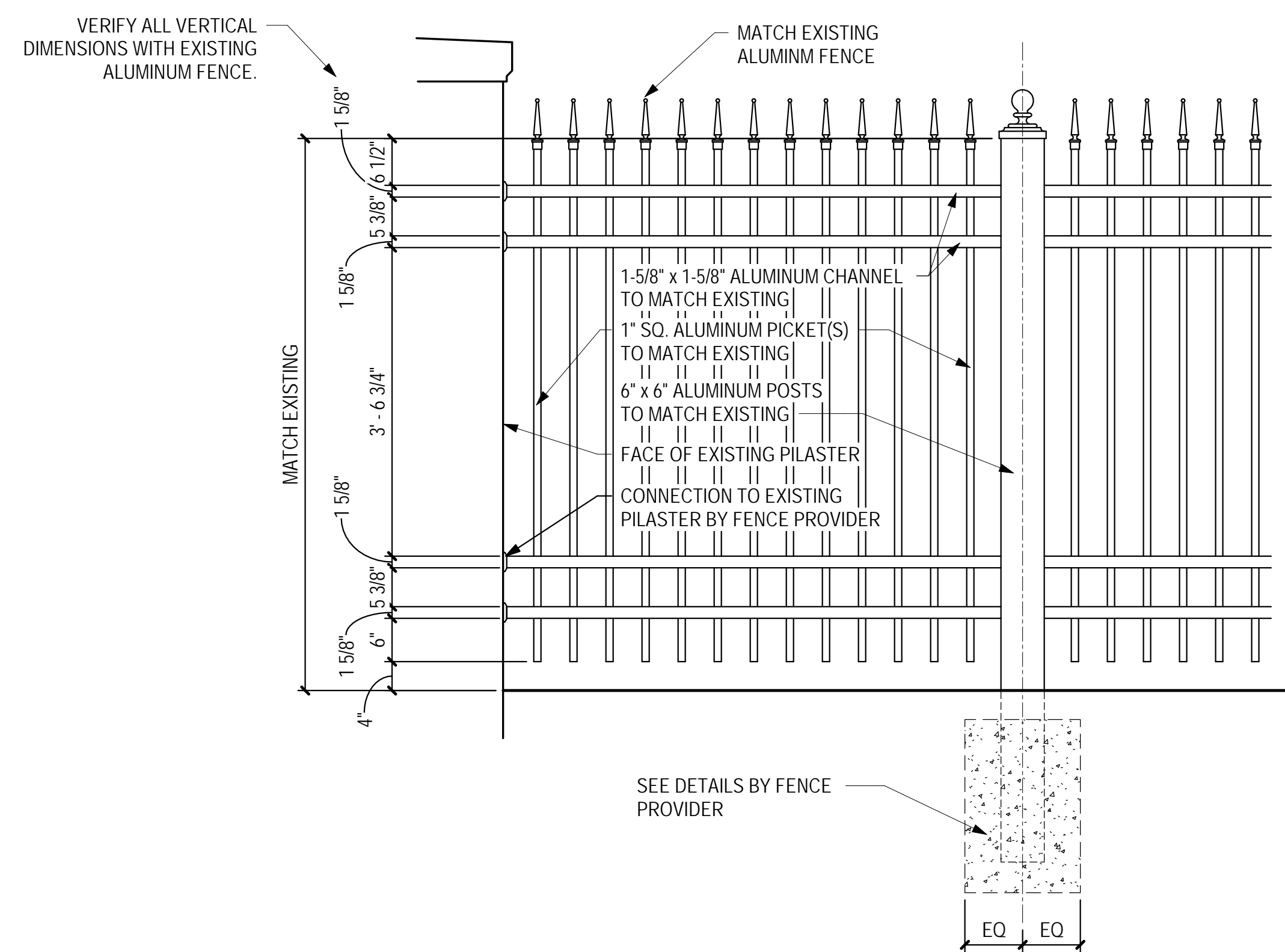


MEP ENGINEER:
Don Penn Consulting Engineer
1301 Solana Blvd.
Bldg. 1 - Suite 1420
Westlake, Texas 76262
Phone: 817-416-2858
Fax: 817-251-8411
jvaldez@iegltd.com

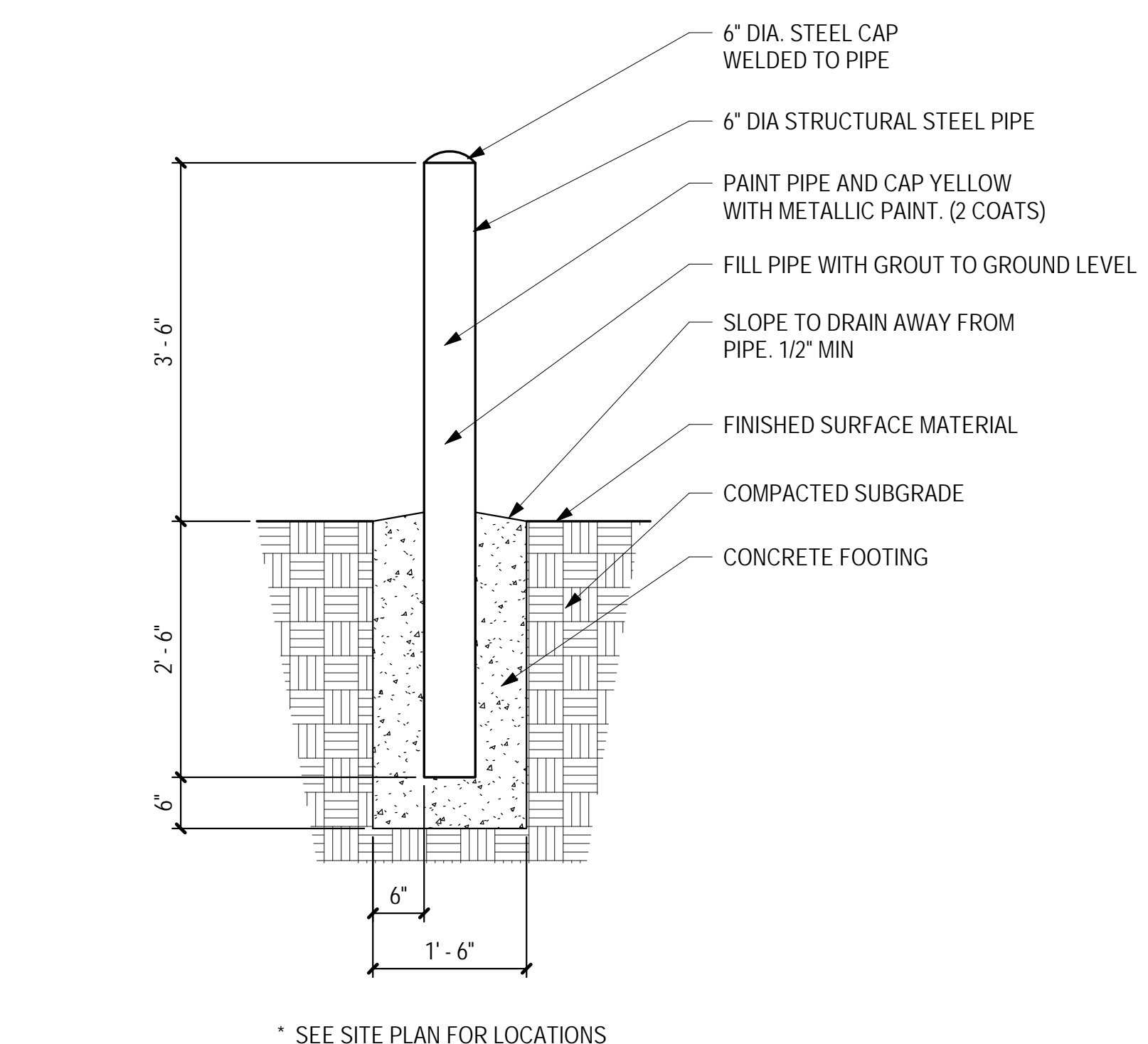
INDEX OF DRAWINGS

ARCHITECTURAL DRAWINGS

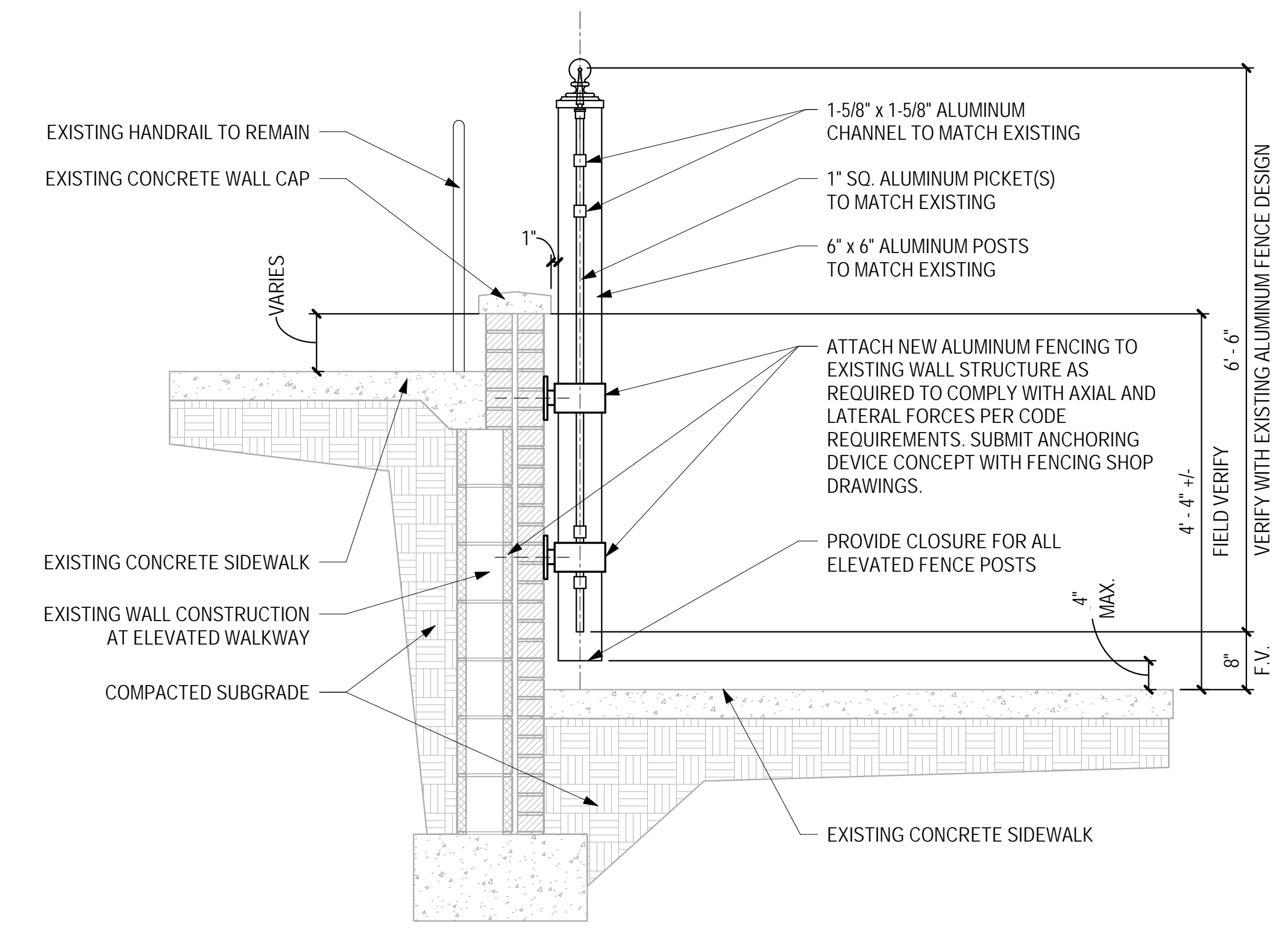
- C1 GLYNN ACADEMY MASTER PLAN
- C2 NORTH CAMPUS SITE PLAN
- C3 EGMONT STREET ENTRANCE GATES
- C4 ALBANY STREET ENTRANCE GATES



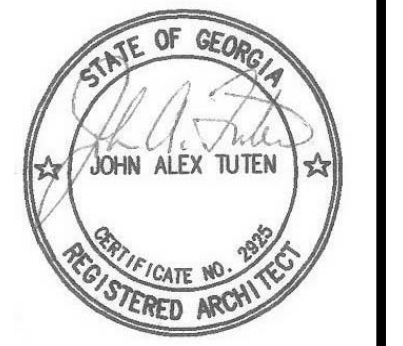
1 FENCE DETAIL
SCALE: 3/4" = 1'-0"



2 BOLLARD DETAIL
SCALE: 3/4" = 1'-0"



3 EXISTING PLATFORM/ FENCE DETAIL
SCALE: 3/4" = 1'-0"



JOHN A. TUTEN & ASSOCIATES ARCHITECTS
4680 U.S. HIGHWAY 17 NORTH
BRUNSWICK, GEORGIA 31525
www.johntuten.com

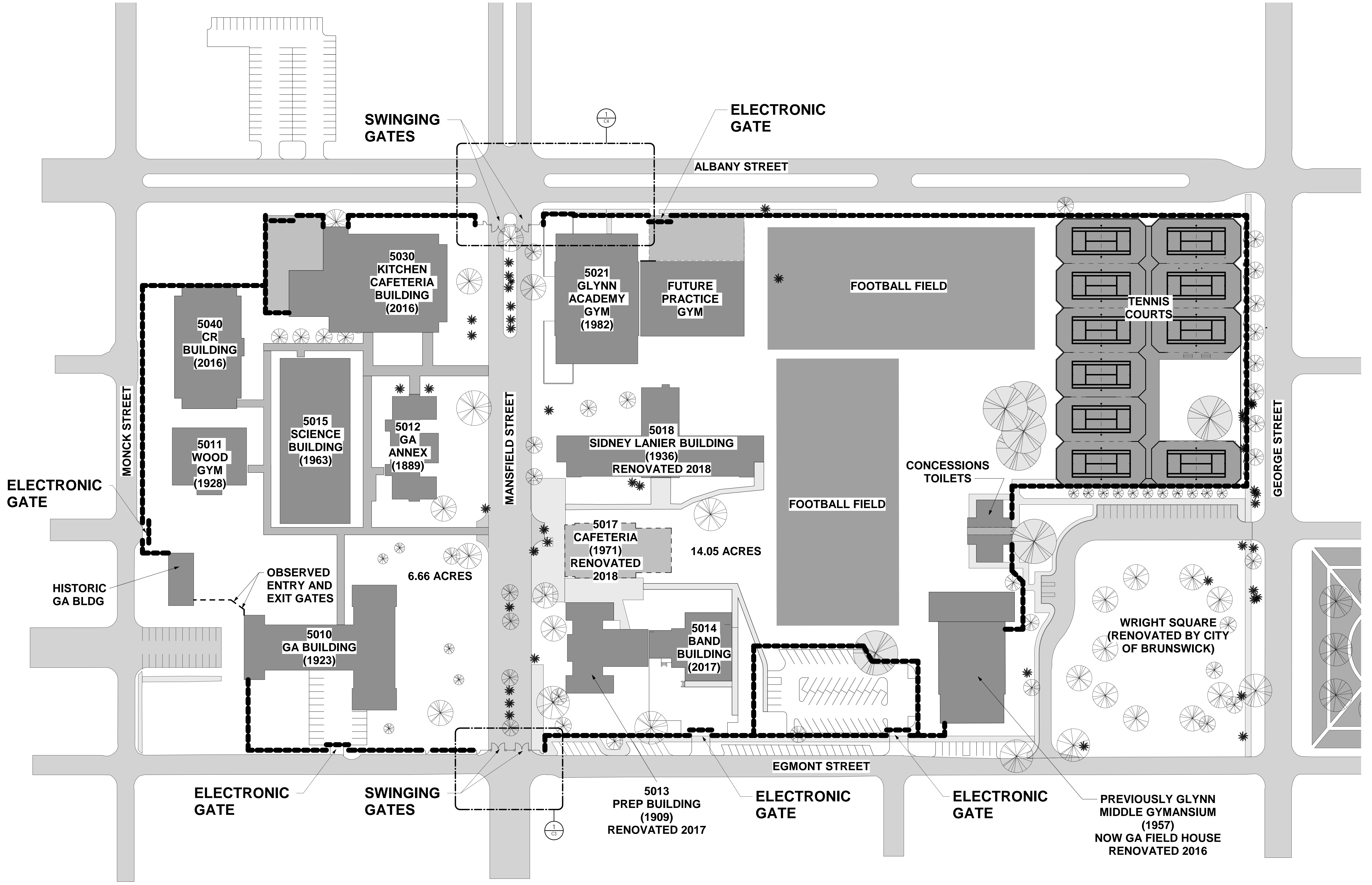
GLYNN ACADEMY HIGH SCHOOL
PERIMETER FENCE - MANSFIELD GATES
1001 MANSFIELD ST. BRUNSWICK, GA. 31520
GLYNN COUNTY BOARD OF EDUCATION

CAPITAL OUTLAY PROJECT #/TRD	
SYSTEM CODE: 443	
SCHOOL CODE: 4752	
FTE: 1793	
ISSUED FOR: PROGRESS SET	
PROJECT DATE: 06/2019	
PROJECT NUMBER: 1812	

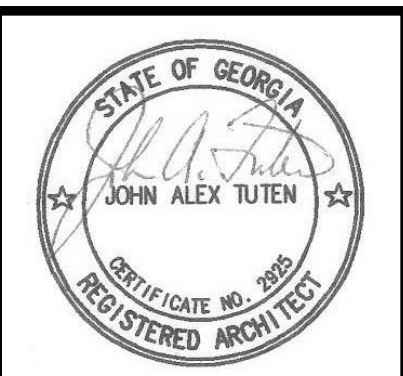
NO.	REVISION SUBMISSIONS	DATE

SHEET:
C0

Copyright © 2019. All Rights Reserved. 5/20/2019 9:09:28 AM C:\Users\jmt\Documents\Revit\Local\1812 Glynn Academy Mansfield Gates\GA Mansfield Gates.gim - Revit 2019.rvt



1 GLYNN ACADEMY MASTER PLAN
SCALE: 1" = 50'-0"



JOHN A. TUTEN & ASSOCIATES ARCHITECTS
4680 U.S. HIGHWAY 17 NORTH
BRUNSWICK, GEORGIA 31525
www.johntuten.com

**GLYNN ACADEMY HIGH SCHOOL
PERIMETER FENCE - MANSFIELD GATES**
1001 MANSFIELD ST. BRUNSWICK, GA, 31520
GLYNN COUNTY BOARD OF EDUCATION

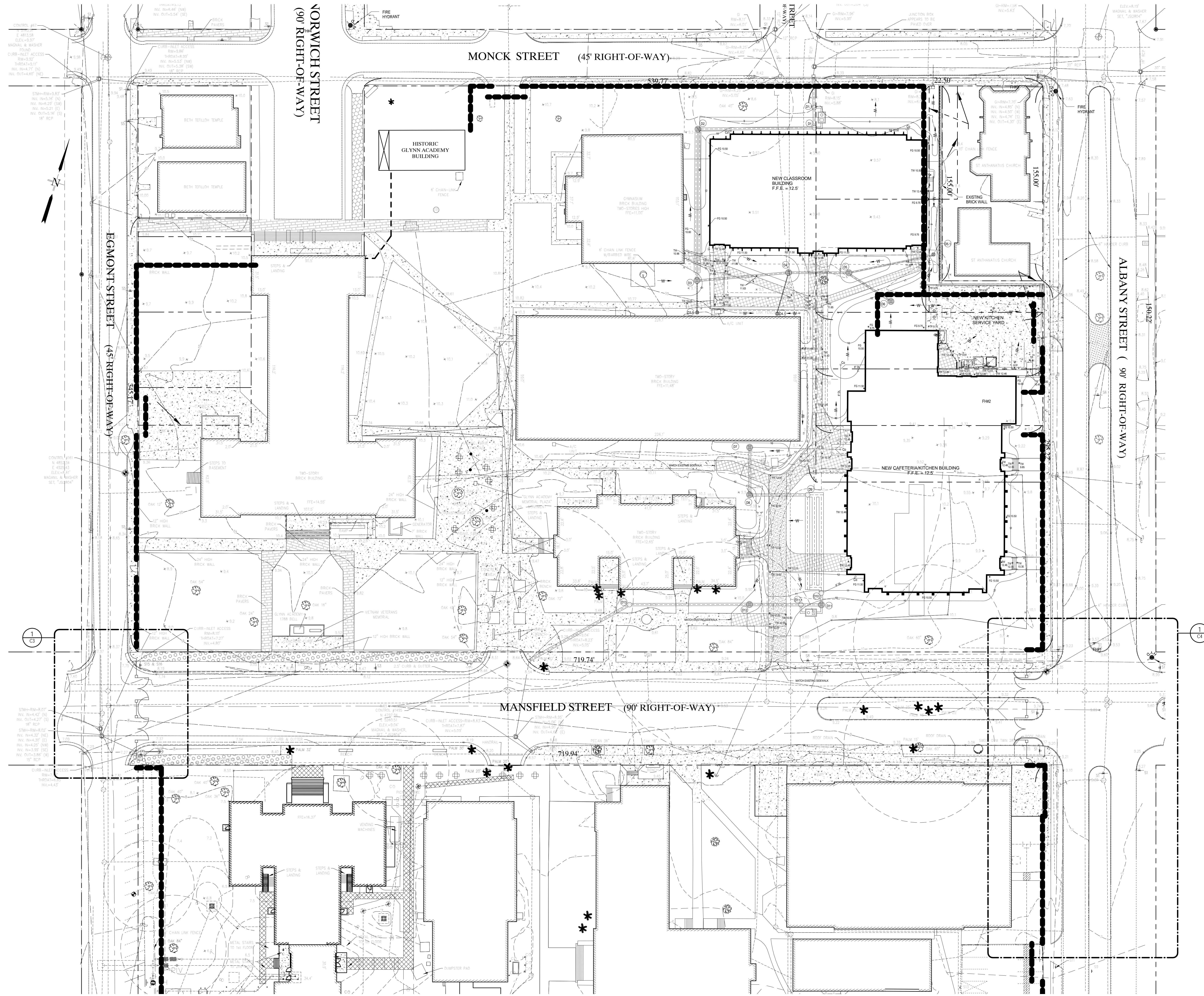
ISSUED FOR:	PROCESS SET
PROJECT DATE:	05/20/19
PROJECT NUMBER:	1812
CAPITAL OUTLAY PROJECT # TIBD	
SYSTEM CODE #03	
SCHOOL CODE #02	
FEE #03	

NO.	REVISION SUBMISSIONS	DATE

SHEET:
C1

GLYNN ACADEMY MASTER PLAN

Copyright © 2019 All Rights Reserved. 5/20/2019 9:09:33 AM C:\Users\jmt\Documents\Revit\Local1\1812 Glynn Academy Mansfield Gates\Glynn Academy Mansfield Gates.rvt - Revit 2019.rvt



1 PERIMETER FENCE - NORTH CAMPUS
 C2 SCALE: 1" = 30'-0"



JOHN A. TUTEN & ASSOCIATES ARCHITECTS
 4680 U.S. HIGHWAY 17 NORTH
 BRUNSWICK, GEORGIA 31525
 www.johntuten.com

**GLYNN ACADEMY HIGH SCHOOL
 PERIMETER FENCE - MANSFIELD GATES**
 1001 MANSFIELD ST. BRUNSWICK, GA. 31520
 GLYNN COUNTY BOARD OF EDUCATION

ISSUED FOR:	PROCESS SET
PROJECT DATE:	05/20/19
PROJECT NUMBER:	1812
CAPITAL OUTLAY PROJECT #/TRD	
SYSTEM CODE #/0	
SCHOOL CODE #/2	
FEE #/293	

NO.	REVISION SUBMISSIONS	DATE

SHEET:
C2

NORTH CAMPUS SITE PLAN



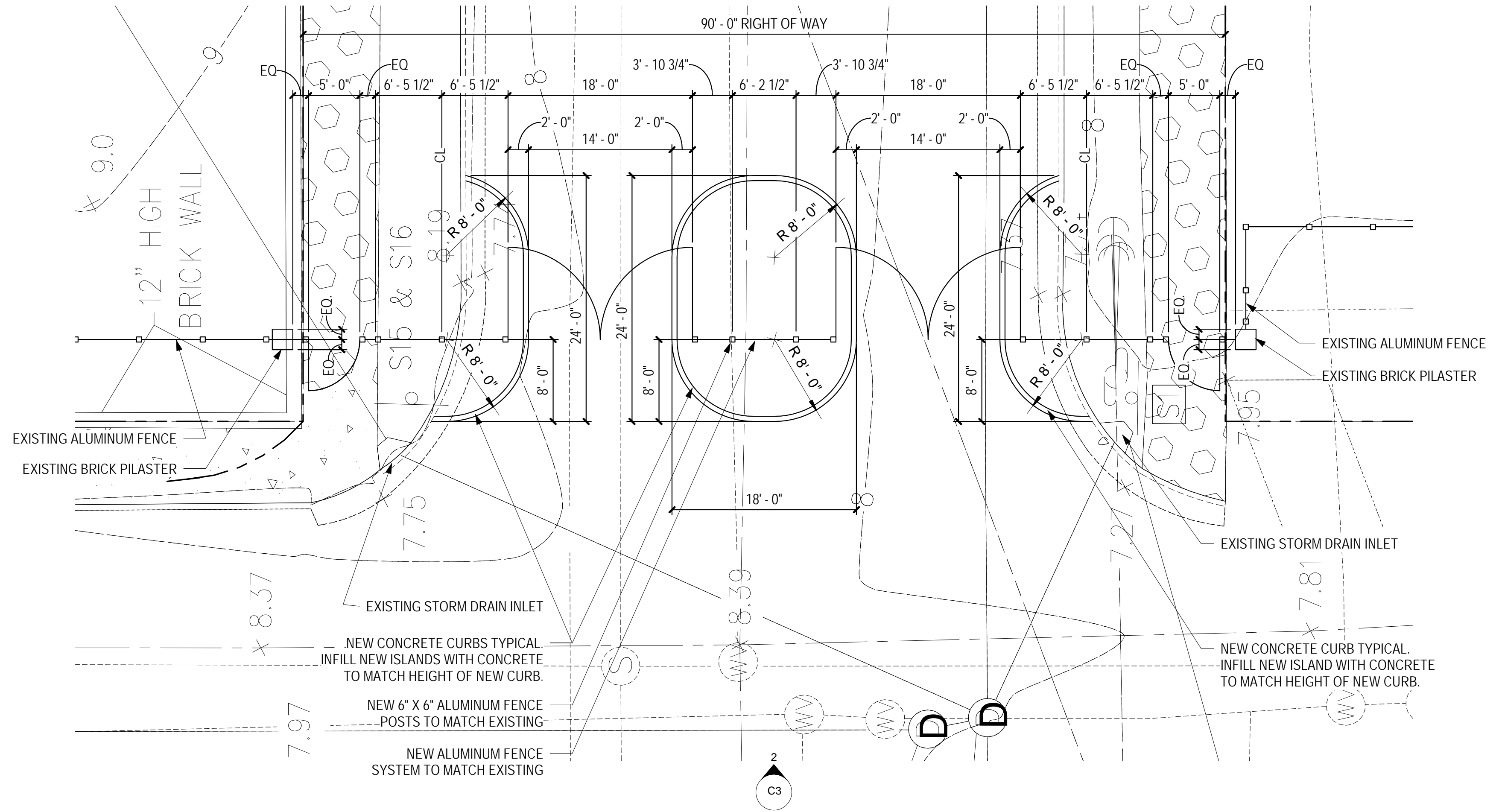
JOHN A. TUTEN & ASSOCIATES ARCHITECTS
 4680 U.S. HIGHWAY 17 NORTH
 BRUNSWICK, GEORGIA 31525
 www.johntuten.com

GLYNN ACADEMY HIGH SCHOOL
 PERIMETER FENCE - MANSFIELD GATES
 1001 MANSFIELD ST. BRUNSWICK, GA, 31520
 GLYNN COUNTY BOARD OF EDUCATION

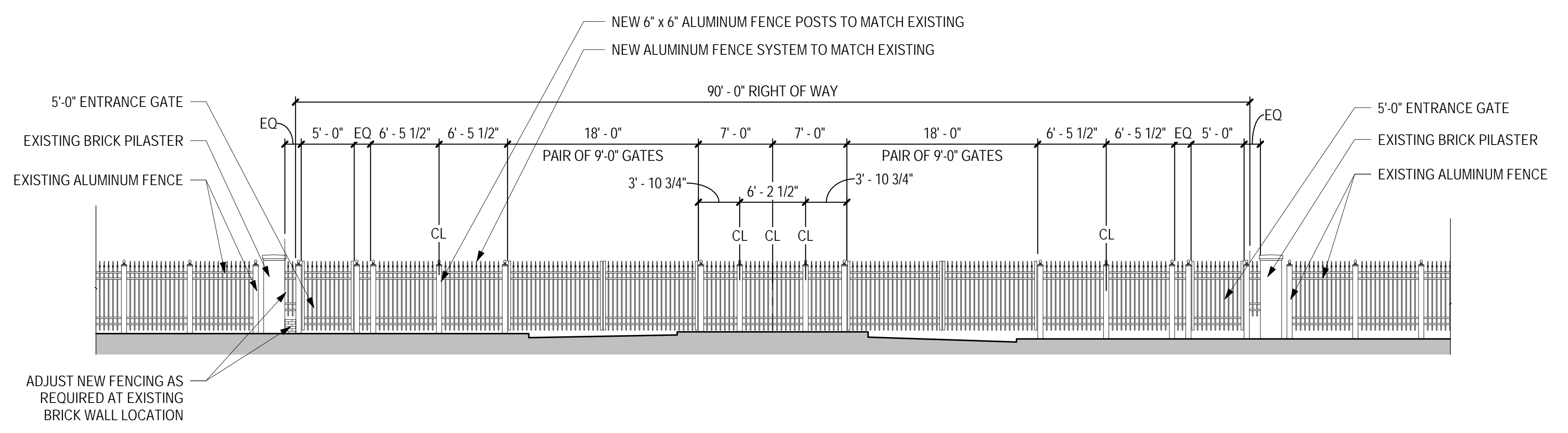
CAPITAL OUTLAY PROJECT # 1180	ISSUED FOR: PROGRESS SET
SYSTEM CODE: 603	PROJECT DATE: 05/20/19
SCHOOL CODE: 472	PROJECT NUMBER: 1812
FEE: 1793	

NO.	REVISION SUBMISSIONS	DATE

SHEET:
C3



1 MANSFIELD - EGMONT ENTRANCE GATES
 SCALE: 1/8" = 1'-0"



2 MANSFIELD - EGMONT ENTRANCE GATES
 SCALE: 1/8" = 1'-0"



JOHN A. TUTEN & ASSOCIATES ARCHITECTS
 4680 U.S. HIGHWAY 17 NORTH
 BRUNSWICK, GEORGIA 31525
 www.johntuten.com

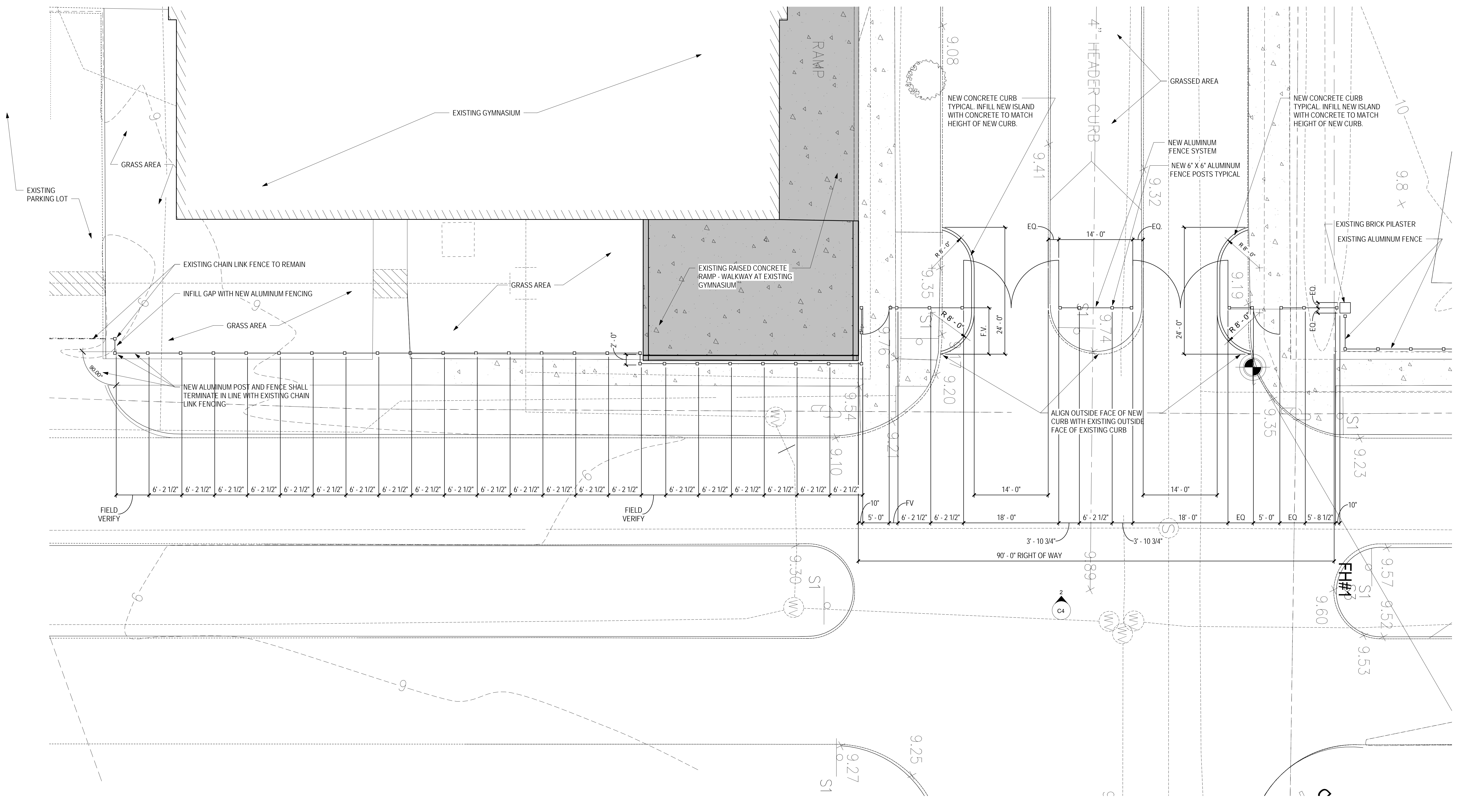
**GLYNN ACADEMY HIGH SCHOOL
 PERIMETER FENCE - MANSFIELD GATES**
 1001 MANSFIELD ST. BRUNSWICK, GA. 31520
 GLYNN COUNTY BOARD OF EDUCATION

ISSUED FOR: **PROGRESS SET**
 PROJECT DATE: 05/20/19
 PROJECT NUMBER: 1812

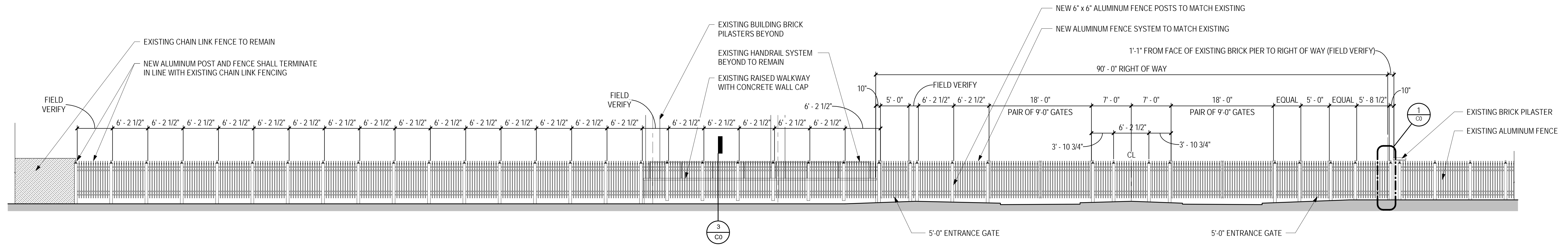
CAPITAL OUTLAY PROJECT # TBD
 SYSTEM CODE: 603
 SCHOOL CODE: 492
 FEE: 1793

NO.	REVISION SUBMISSIONS	DATE

SHEET:
C4



1 MANSFIELD - ALBANY ENTRANCE GATES
 SCALE: 1/8" = 1'-0"



2 MANSFIELD - ALBANY ENTRANCE GATES
 SCALE: 1/8" = 1'-0"

Copyright © 2019 All Rights Reserved. 5/20/2019 9:09:42 AM C:\Users\jmt\Documents\Revit\Local\1812 Glynn Academy Mansfield Gates\GA Mansfield Gates.gim - Revit 2019.rvt